



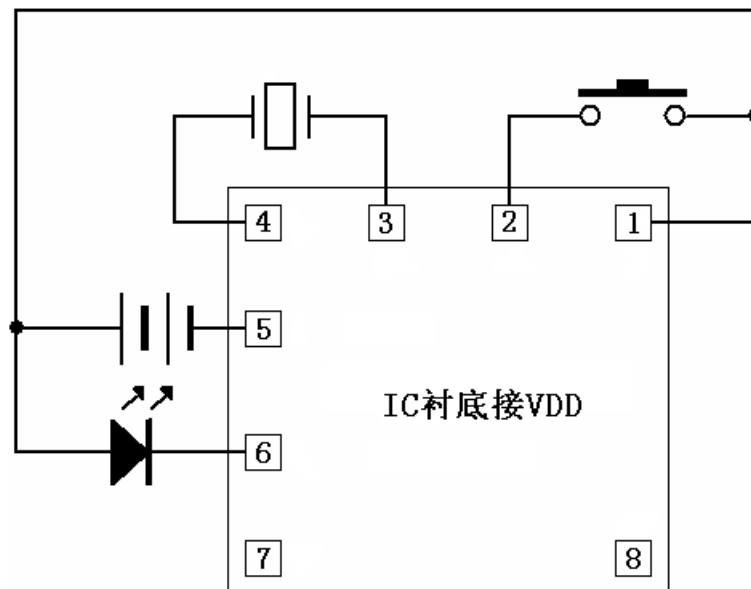
一、功能叙述

DL8865 是一颗单音音乐 IC，触发带 1LED 功能。

二、电气参数

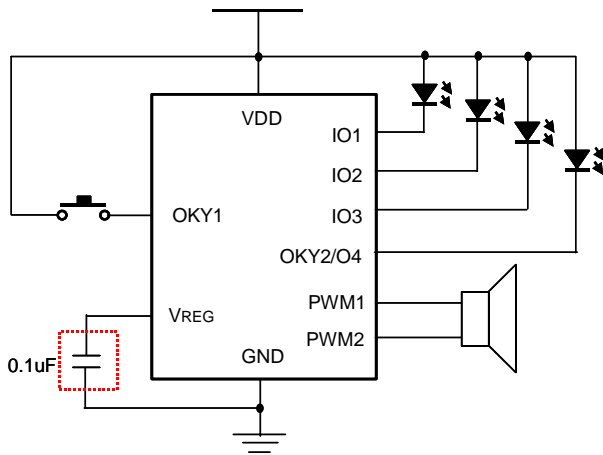
Parameter	Symbol	Min	Typ	Max	Unit	Condition
Operating Voltage	VDD	2.4	3	5	V	
Operating Current	IOP	-	<100	-	uA	
LED Sink Current	ILED	2.0	-	-	mA	
OSC Frequency	FOSC	130	150	170	KHz	
Standby Curent	ISTB	-	-	5	uA	No load
BDB drive current	IDRI	10	-	-	mA	Voh=2.0V
BDB sink current	ISINK	10	-	-	mA	Vol=0.7V

三、IC 排位及接线图

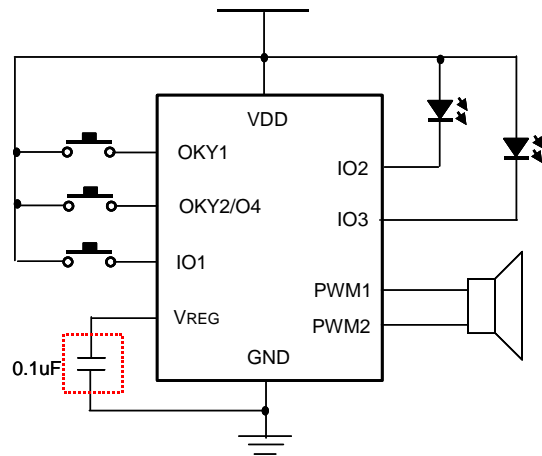


1. APPLICATION

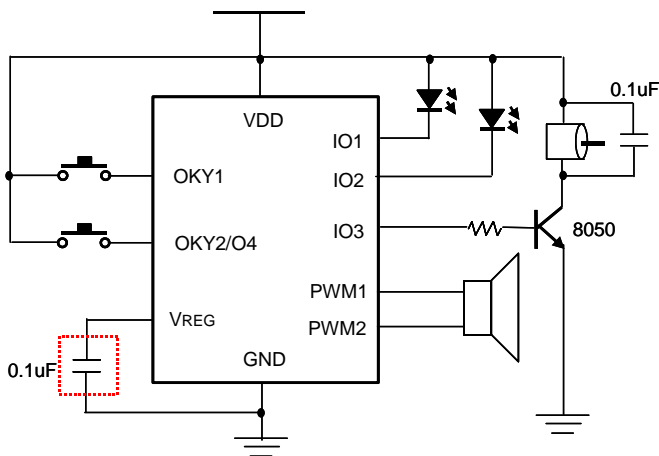
(1) 1 trigger with 4 LEDs (Sink)



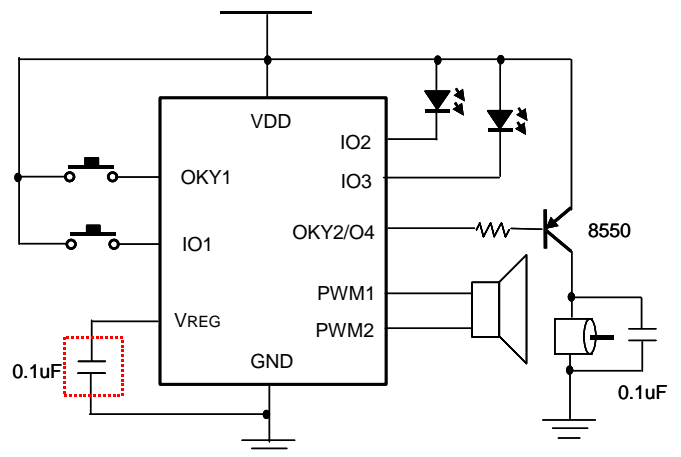
(2) 3 triggers with 2 LEDs (Sink)



(3) 2 triggers with 2 LEDs (Sink) and 1 motor (Drive)

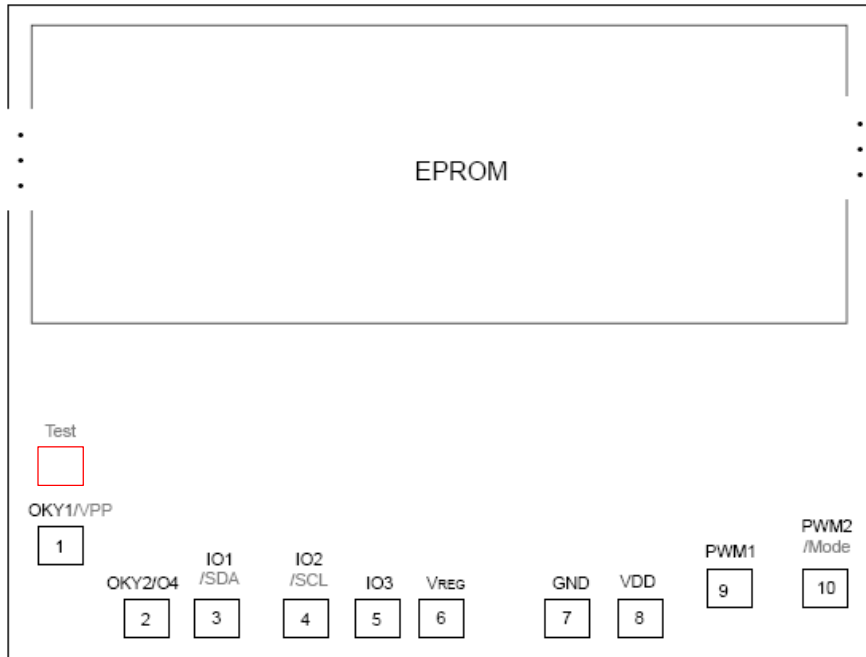


(4) 2 triggers with 2 LEDs (Sink) and 1 motor (Sink)



Note: At high voltage of 4.5V or higher voltage, VREG may be connected to GND with a 0.1uF cap for less power noise. At 3V, VREG don't need to connect any capacitor and can be kept this pad floating to save a capacitor.

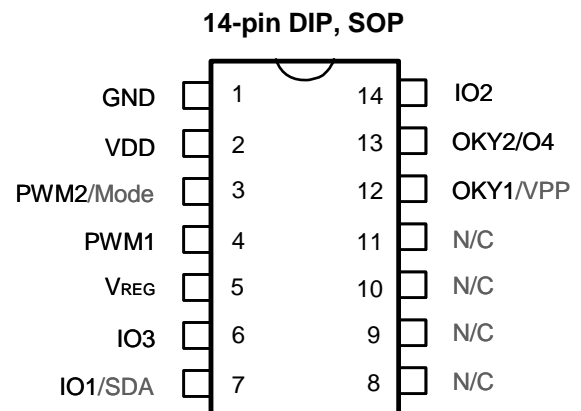
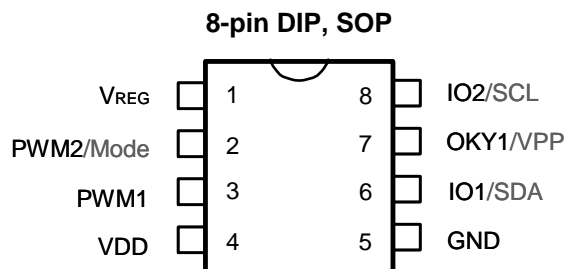
2. DIE PAD DIAGRAM



* The IC substrate must be connected to GND or Floating.

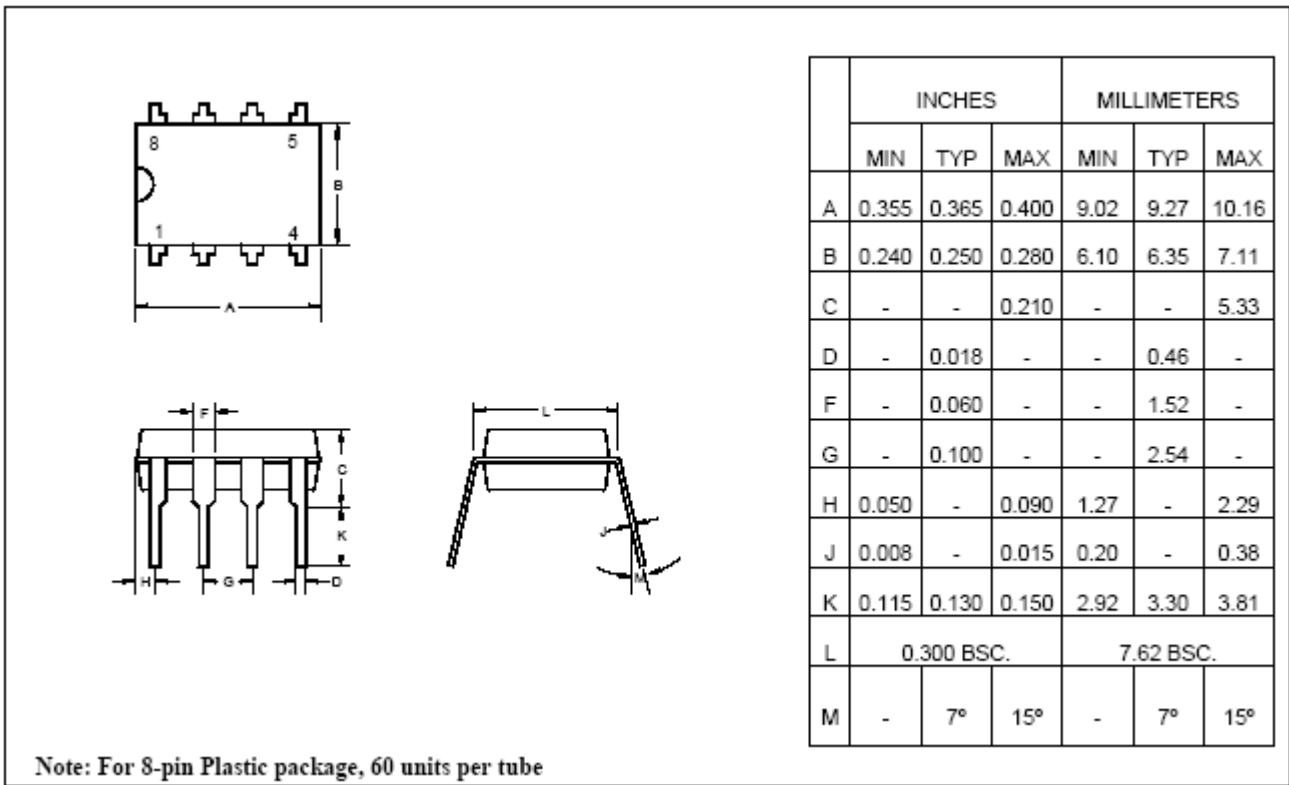
3. COB PIN ASSIGNMENT

4. PACKAGE PIN ASSIGNMENT

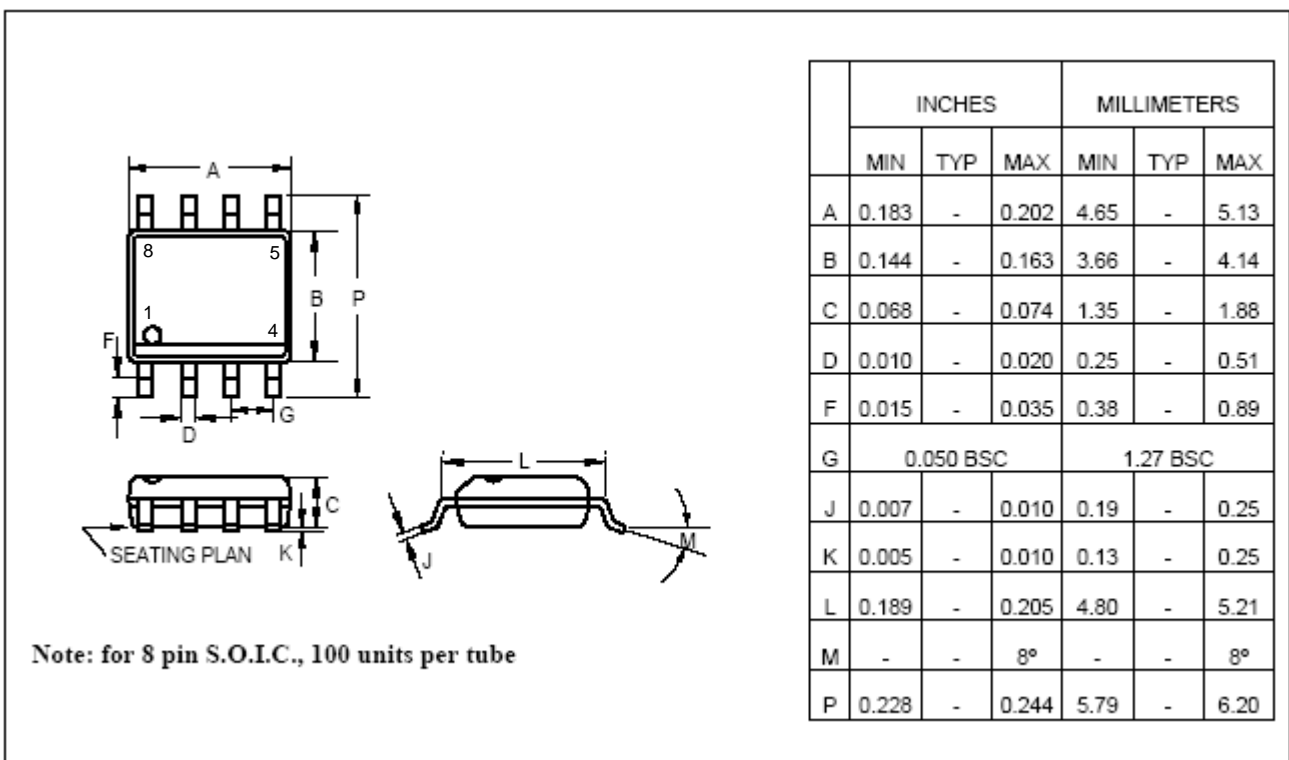


5. PACKAGE DIMENSION

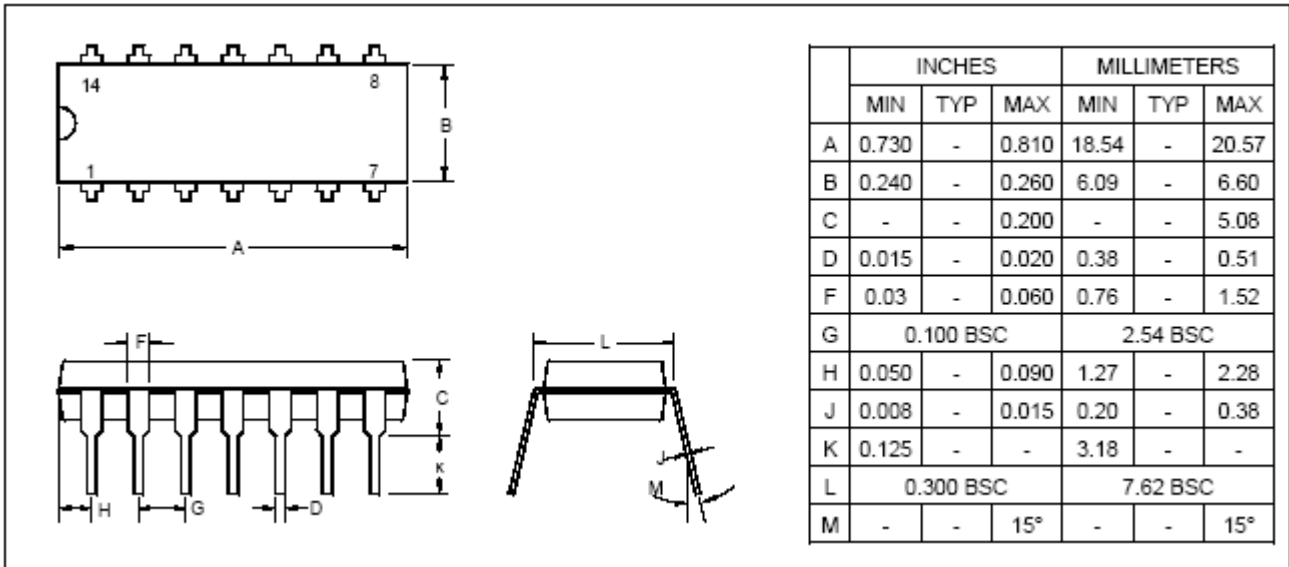
8-Pin Plastic DIP (300 mil)



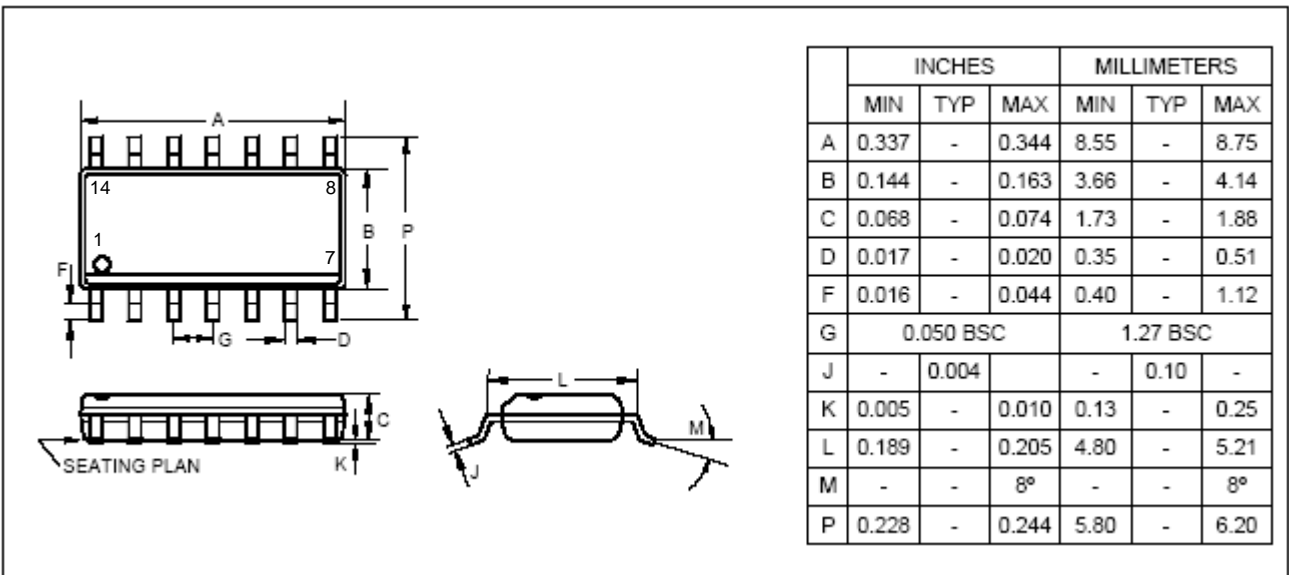
8-Pin Plastic SOP (150 mil)



14-Pin Plastic DIP (300 mil)



14-Pin Plastic SOP (150 mil)



DIP-8封装电路图

