

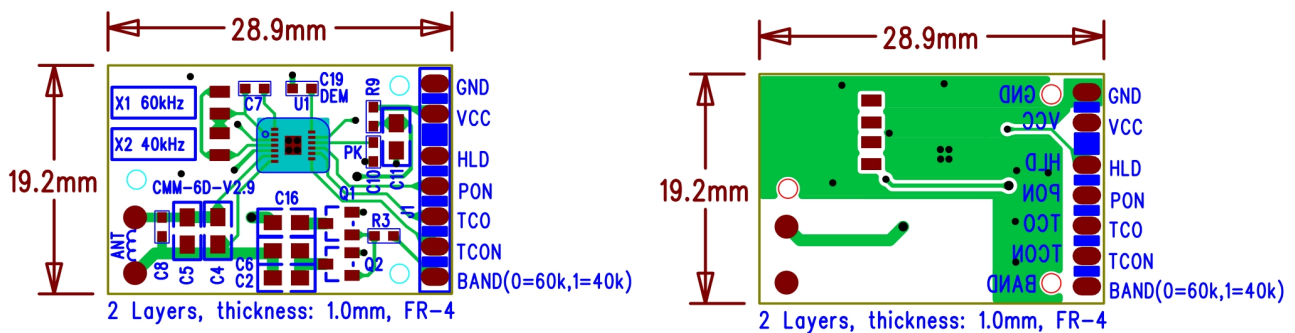
# Radio Controlled Signal Japan Dual Band Receiver Module (CME6005 inside)

DL8362

## 1. Module Description

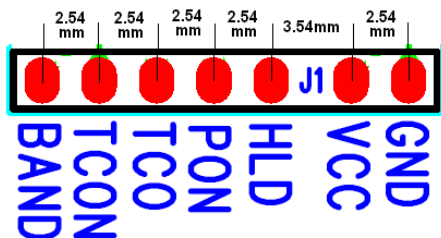
Together with the ferrite antenna, the receiver module DL8362 forms a complete receiver unit for radio controlled signals of Japan JJY radio controlled frequencies 40kHz, 60kHz or Germany DCF radio controlled frequencies 77.5kHz.

## 2. Module dimension



Top view

Bottom view



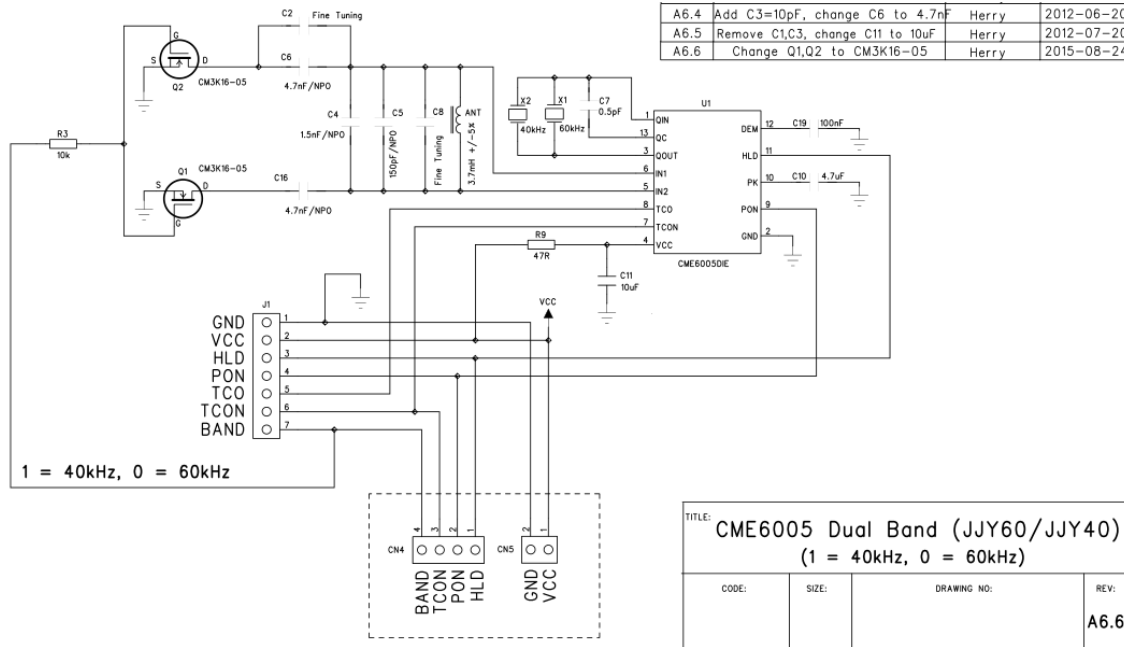
Pitch Definition

## 3. Module pinning

Pin connection to module	Description
GND	Ground of the module
VCC	Power supply to module
HLD	AGC HLD control pin, must be connected to VCC externally if not connected to MCU.
PON	Power on, must be connected to GND externally to switch on module
TCO	Positive output signal
TCON	Inverted output signal
BAND	GND = JJY60 VDD = JJY40

# Radio Controlled Signal Japan Dual Band Receiver Module (CME6005 inside)

## 4. Circuit diagram (JJY)



## 5. Technical data (JJY)

Parameter	Spec
Receiver Carrier Frequency	40 / 60 kHz
Operating Voltage	1.3 V – 5.5 V
Current consumption at 3.0 V	Typ. 100 $\mu$ A
Quiescent current in standby mode	0.5 $\mu$ A
Operating temperature range	-10 to 60 $^{\circ}$ C
Startup time	<3.5 s
Receiver sensitivity	
- direct feed in via IN1 & IN2	< 0.6 $\mu$ V
- via 40mm antenna* connected at ANT	< 38 dB $\mu$ V
Antenna inductance with wire	3.7 mH
Output pulse widths tolerance at TCO/TCON	< $\pm$ 30 ms
Antenna dimensions	

# Radio Controlled Signal Japan Dual Band Receiver Module (CME6005 inside)

---

## 6. Ordering Information

DL8362 -JJY (with 40mm antenna)	Japan Version
---------------------------------	---------------

## 7. Module Picture

