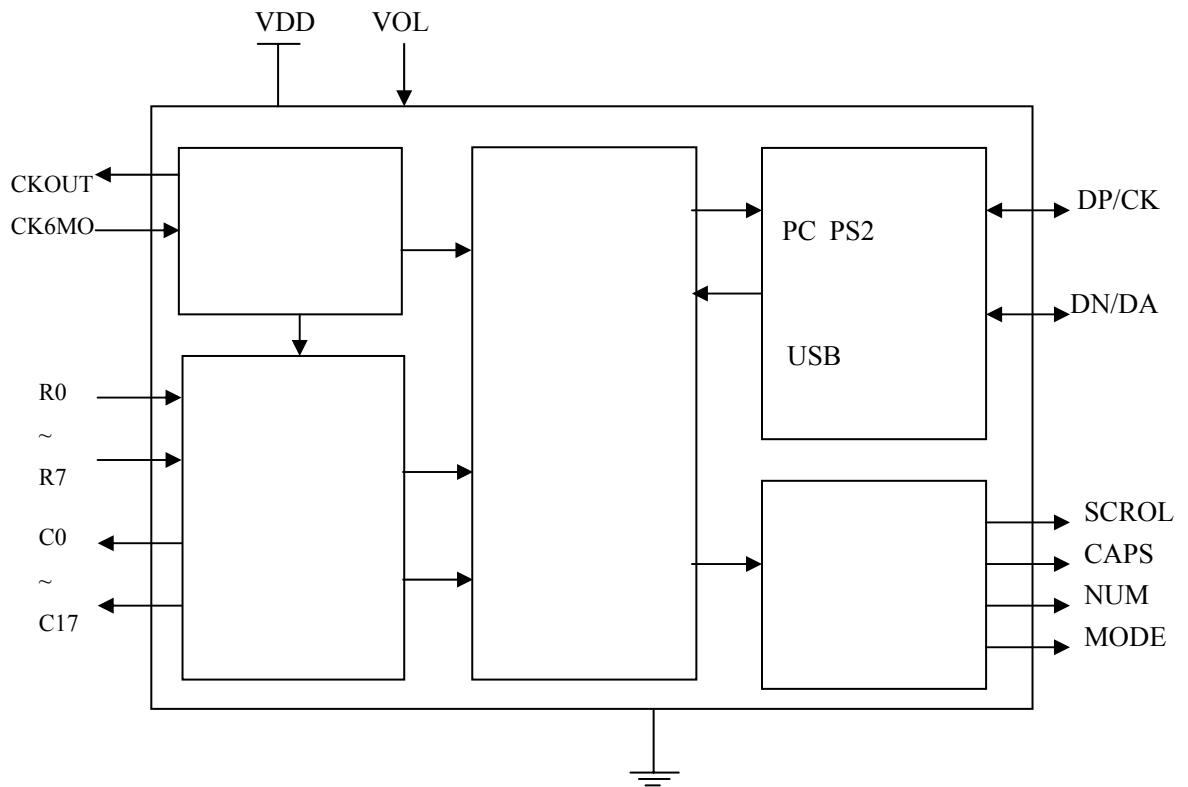




- CMOS
- 3.5V ~ 5.1V
- 10mA
- 6MHZ
- USB PC PS2 支持USB1.1和2.0
- PC PS2 1 2
- Windows TM 95, 98, 2000, ME
- USB /
- 





深圳市晶峰达电子科技有限公司

东莞市琪芯电子有限公司

电话: 13798528768, 0769-81555915 传真: 85338927

邮箱: info@jfd-ic.com, QQ: 1873357672

网址: www.jfd-ic.com 微信: dgqxdz

Skype: jumfuyu 阿里旺旺: 晶峰达电子科技

**DL7943**

**USB/ PS2**

DL7943

USB/PC PS2

USB

PC PS2

USB

PC PS2

		I/O	
1	C1	O	
2	C2	O	
3	OPT1	I	1
4	OPT2	I	2
5	MODE	O	
6	C3	O	
7	C4	O	
8	C5	O	
9	C6	O	
10	C7	O	
11	C14	O	
12	C13	O	
13	C12	O	
14	C11	O	
15	C15	O	
16	C10	O	
17	C8	O	
18	C9	O	
19	C0	O	
20	C16	O	
21	C17	O	
22	R0	I	
23	R1	I	
24	R2	I	
25	R3	I	
26	R4	I	
27	R5	I	
28	R6	I	
29	R7	I	
30	SCROL	O	
31	NUM	O	



**USB/ PS2**

32	CAPS	O	
33	VDD	I	
34	VOUT	O	USB
35	CK6MO	I	
36	CKOUT	O	
37	GND	I	
38	DP	I/O	USB
39	DN	I/O	USB

1	C1		
2	C2		
3	OPT1		
4	OPT2		
5	MODE		
6	C3		
7	C4		
8	C5		
9	C6		
10	C7		
11	C14		
12	C13		
13	C12		
14	C11		
15	C15		
16	C10		
17	C8		
18	C9		
19	C0		
20	C16		

21	C17		
22	R0		
23	R1		
24	R2		
25	R3		
26	R4		
27	R5		
28	R6		
29	R7		
30	SCROL		
31	NUM		
32	CAPS		
33	VDD		
34	VOUT		
35	CK6MO		
36	CKOUT		
37	GND		
38	DP		
39	DN		





**USB/ PS2**

	<b>R0</b>	<b>R1</b>	<b>R2</b>	<b>R3</b>	<b>R4</b>	<b>R5</b>	<b>R6</b>	<b>R7</b>
<b>C0</b>	Pause	Power	€	Sleep	Ctrl-R	Wake-up	Ctrl-L	F5
<b>C1</b>	Q	Tab	A	ESC	Z	N-CHG	` (~)	1 (!)
<b>C2</b>	W	CAP	S	K45	X	CHG	F1	2 (@)
<b>C3</b>	E	F3	D	F4	C	ROMA	F2	3 (#)
<b>C4</b>	R	T	F	G	V	B	5 (%)	4 (\$)
<b>C5</b>	U	Y	J	H	M	N	6 (^)	7 (&)
<b>C6</b>	I	] (})	K	F6	, (<)	K56	+ (=)	8 (*)
<b>C7</b>	O	F7	L	¥	. (>)	APP	F8	9 ('')
<b>C8</b>	P	[ ( { )	; (:)	' (")	K42	/ (?)	_ (-)	0 ('')
<b>C9</b>	SCROLL		Fn	ALT-L	M/Mode	ALT-R		PRINT
<b>C10</b>	K14	BACK	\ ( )	F11	Enter	F12	F9	F10
<b>C11</b>	7 (K)	4 (K)	1 (K)	Space	Num	↓	DEL	Power
<b>C12</b>	8 (K)	5 (K)	2 (K)	0 (K)	/ (K)	→	INS	Sleep
<b>C13</b>	9 (K)	6 (K)	3 (K)	. (K)	* (K)	- (K)	Page Up	Page Down
<b>C14</b>	+ (K)	K107	Enter (K)		Play/Pause		Home	End
<b>C15</b>	WakeUp	Shift-L	SHIFT-R	Volume-	Volume+	NextTrack	PrevTrack	Media
<b>C16</b>	Mail	WIN-L	WWW Forward	WWW Stop	WWW Back	WWW Refresh	Mule	WWW Search
<b>C17</b>	K150 (KC-L)	WWW Favorites	Win-R	My Computer	Stop	Calculator	Web/Home	K151 (CK-R)



1

	Multi-Media Functin	Internal Function	O.S. Function
<b>Fn+ (M/Mode)</b>	Pad_2 Volume-	Pad_Enter Web/Home	Pad_0 MyComputer
	Pad_3 Play/Pause	Pad_+ Mail	Pad_1 Calculator
	Pad_4 PreTrack	Pad_- Favorites	
	Pad_5 Media	Pad_. Search	
	Pad_6 NextTrack	Right Forward	E Eur Key
	Pad_7 Mute	Left Back	
	Pad_8 Volume+	Down Stop	
	Pad_9 Stop	Up Refresh	

2

	Multi-Media Functin	Internal Function	O.S. Function
<b>Fn+ (M/Mode)</b>	Pad_Enter Volume-	F1 Web/Home	F10 MyComputer
	Down Play/Pause	F8 Mail	F11 Calculator
	Left PreTrack	F2 Favorites	
	F9 Media	F3 Search	
	Right NextTrack	F6 Forward	E Eur Key
	F12 Mute	F7 Back	
	Pad_+ Volume+	F5 Stop	
	Up Stop	F4 Refresh	

	$V_{DD}$	3.5~ 6.0	V
/	$V_I / V_O$	GND-0.3 ~ VDD+0.3	V
	$T_{DD}$	0 ~ 65	
	$T_{ST}$	-20 ~ 125	

	$V_{DD}$	3.5	5.0	5.1	V
	$I_{DD}$	8	10	12	mA
	$F_{OSC}$		12		MHz

1

2



