

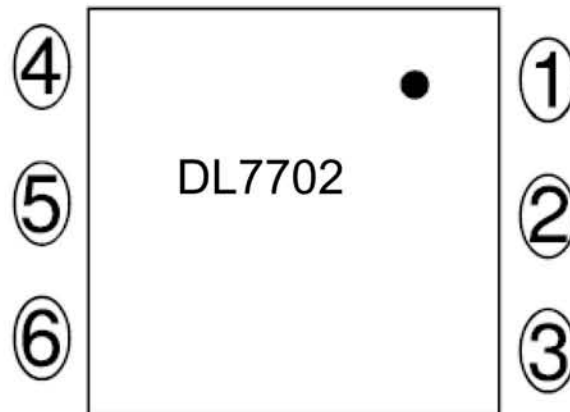
Applications

- DSC(Digital steal cameras)
- Camcorders
- Mobile phone
- PDA
- Projector

Features

- Subminiature SMD Type
- 4-phase output type
- Able to detect the full rotation(360°) by non-contact structure.

Top view:



Pin name:

PIN1	Emitter 1	PIN4	Emitter 2
PIN2	Collector 1	PIN5	Collector 2
PIN3	Cathode	PIN6	Anode

Device Selection Guide

Input Current (mA)	Output operating voltage (V)
3	2.8

Absolute Maximum Ratings(Ta = 25°C)

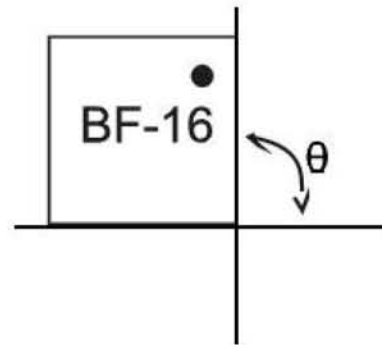
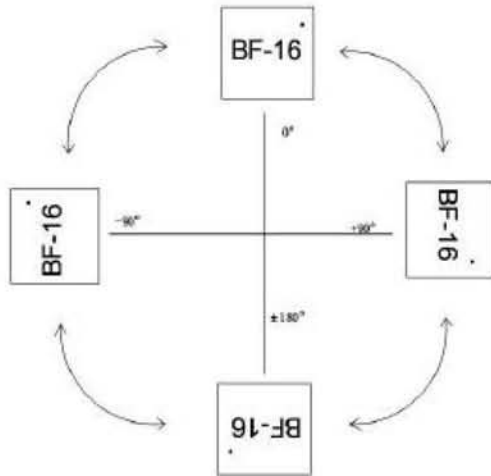
Parameter		Symbol	Rating	Unit
Input	Reverse voltage	VR	5	V
	Forward current	IF	50	mA
	Power dissipation	PO	70	mW
Output	Collector-emitter voltage	VCE	70	V
	Emitter-collector voltage	VCE	7	V
	Collector current	IC	20	mA
	Collector Power dissipation	PC	80	mW
Operating Temperature		Topr	-25 to 85	°C
Storage Temperature		Tstg	-30 to 85	°C

*Soldering time ≤ 10 s.

Electro-Optical Characteristics

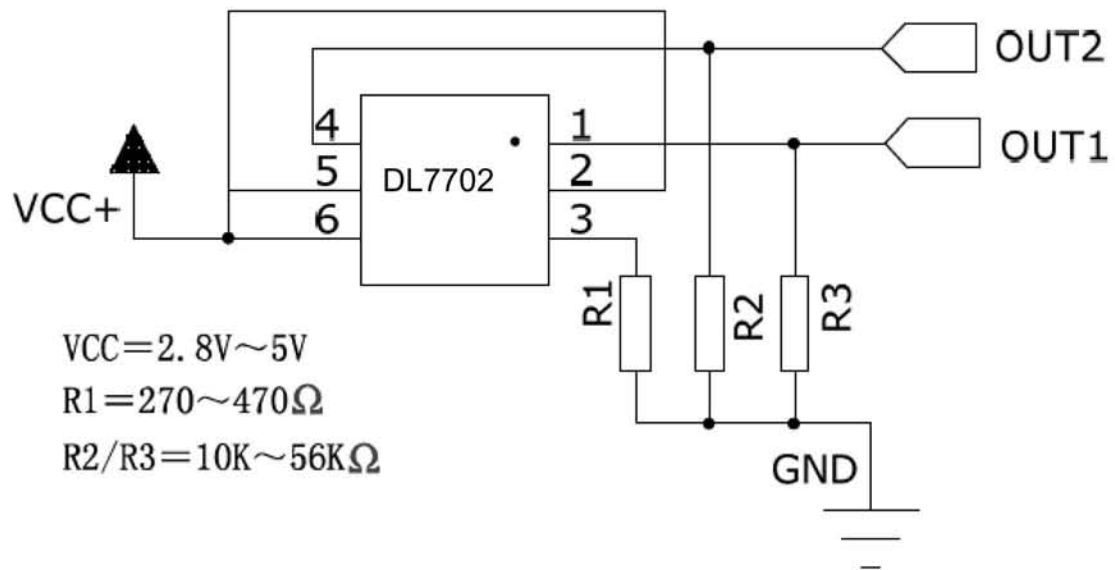
Parameter		Symbol	Rating	MIN	TYP	MAX	Unit
Input	Forward voltage	VF	IF=20mA	-	1.30	1.45	V
	Reverse current	IR	VR=5V	-	-	10	uA
*1Output	Collector dark c urrent	ICE	VCE=20V	-	-	50	nA
*1 Coupling Characteristics	Collector current	IC	VCE=5V, IF=5mA	100	-	-	uA
	*2 Leak current	ILEAK	VCE=5V, IF=5mA	-	-	17	uA
	Response time	tf/tr	VCE=5V, IC=1mA RL=1000Ω	-	15	-	us
				-	15	-	us
Collector-emitter saturation voltage		VCE(sat)	IF =2mA, IC=100uA	-	-	0.2	V

Detecting Rotation Characteristics:

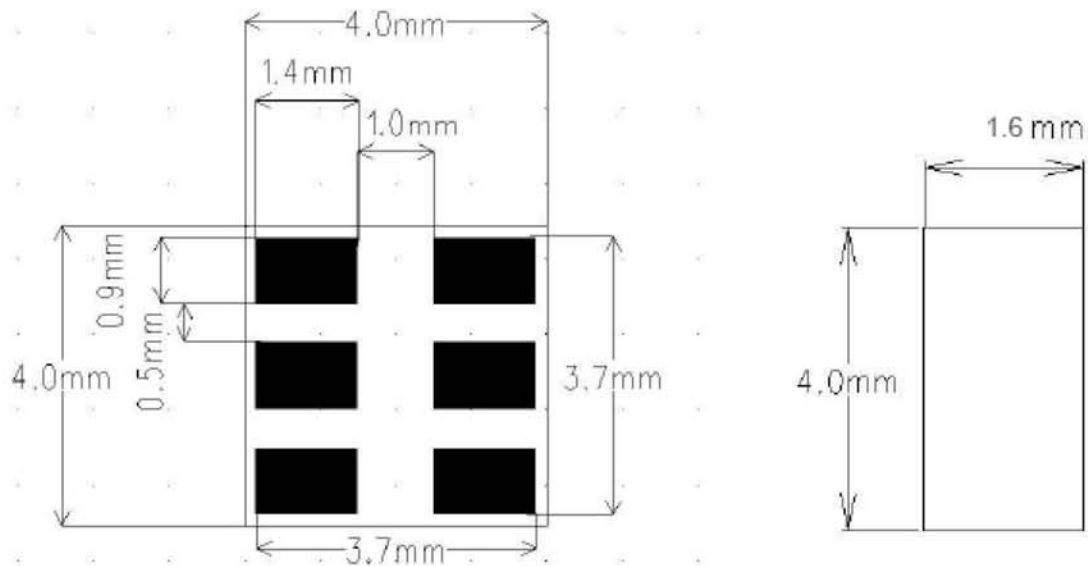


Detection Angle	OUT1	OUT2
0°	low ICleak	low ICleak
90°	low ICleak	high IC
180°	high IC	high IC
-90°	high IC	low ICleak

Application Circuit



Package dementions



Notes:

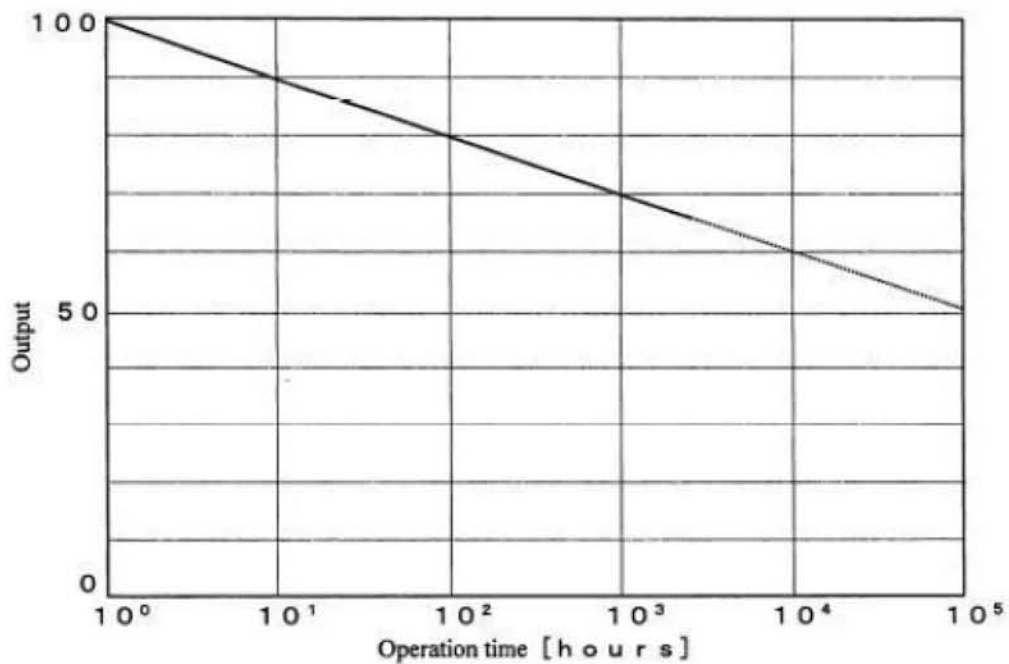
1,Unit mm

2,Unspecified tolerance : ±0.2mm

IR reflow reference curve

The following reflow soldering profiles are provided for reference. It is recommended that users follow the recommended soldering profile provided by the manufacturer of the solder paste used.

Part number	DL7702
Data	Operation life
Condition	$I_F = 20 \text{ mA}$ $V_{CE} = 5 \text{ V}$ $T_a = 25 \text{ }^\circ\text{C}$



This curve is maximum degradation. In circuit designing, make allowance for the degradation of the light emitting diode output.

DL7702

传感器

Package

Item	Quantity	Total	Dimensions(mm)
Reel	750pcs	750pcs	Diameter=178 ; width=12

