



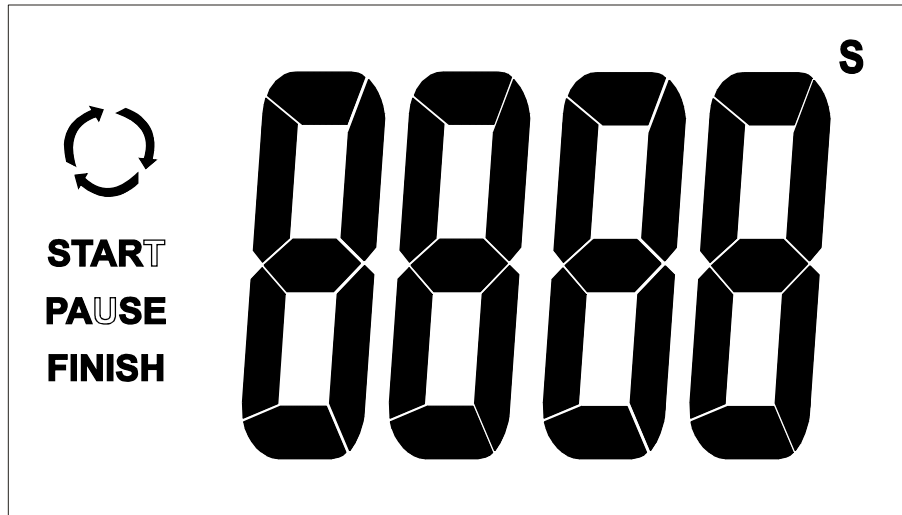
深圳市晶峰达电子科技有限公司
ShenZhen JinFengDa Electronic Technology Co., Ltd.
地址:深圳市龙岗街道 电话:0755-29206918, 13798528768
网站: www.jfd-ic.com 邮箱: info@jfd-ic.com QQ:402431824

DL6698 计时 IC

产 品 规 格 书

DL6698

DL6698 Downcount Timer



START / STOP / RECALL

SET

A) OPERATIONS

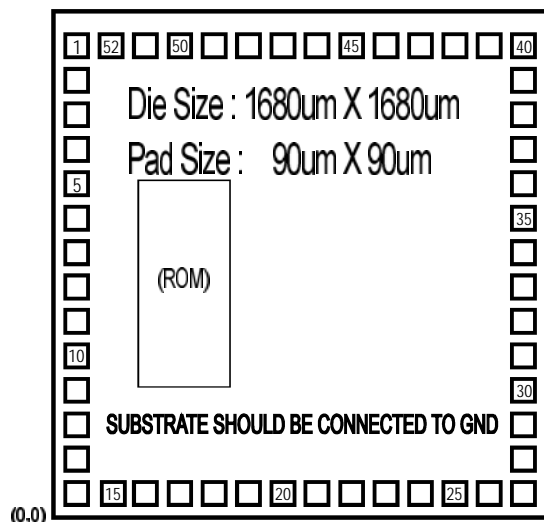
- 1) 1.5V Operate
- 2) Low Power Consumption
- 3) Single or Double Key <START/STOP/RECALL> and <SET> Operation
- 4) Soldering Option Default One Digit ,Two Digit , Three Digit or Four Digit

AND

Soldering Option Default Any Time 0001-9999 second or
0001-9999 Minute or
0001-9999 Hour or
0001-9999 Day

- 5) Press the Key to Set Time Setting
Press the Key to Start Down Counting
Press the Key to Pause, Press Again to Continue
Hold the Key to Recall the Default Time
- 6) Corresponding Icons will be Turned On
- 7) Buzzer Sounds for 1 Minutes when Count to Zero

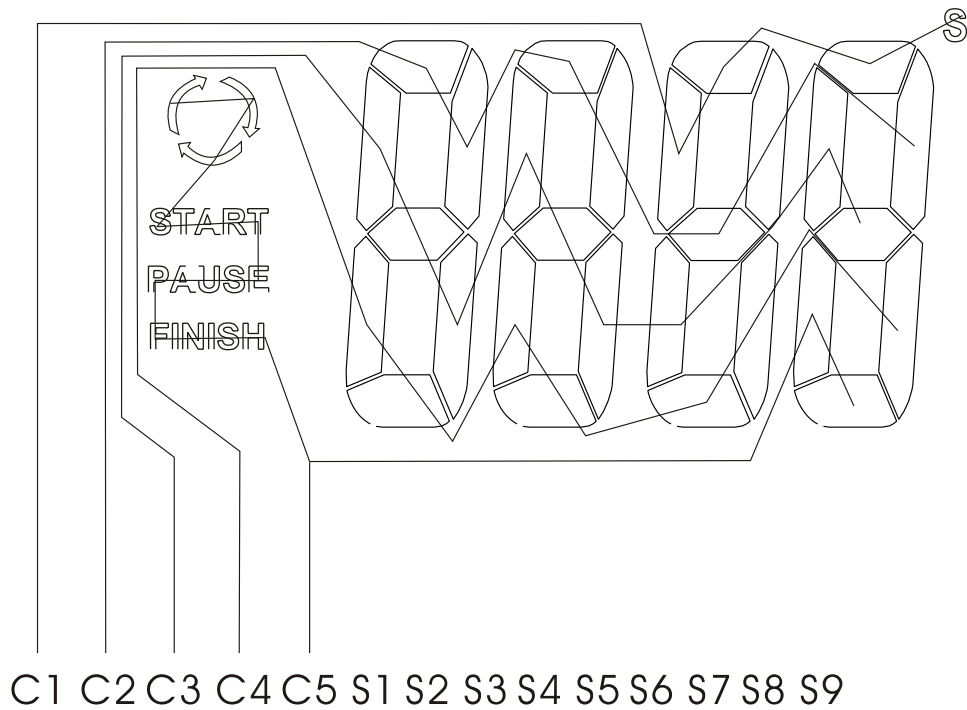
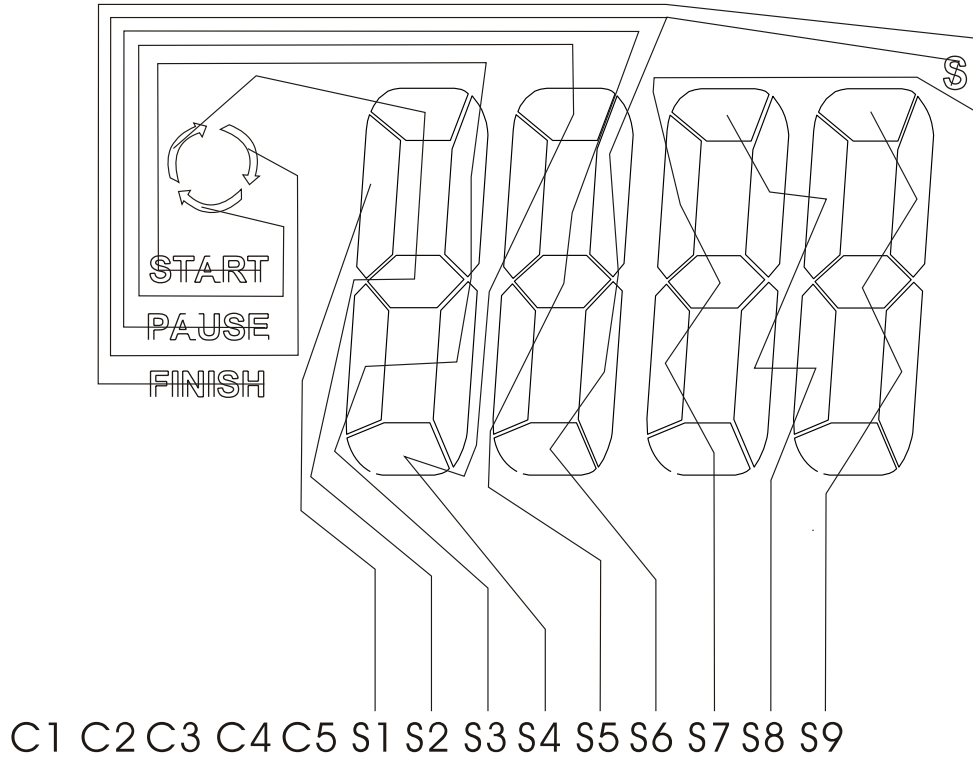
DL6698

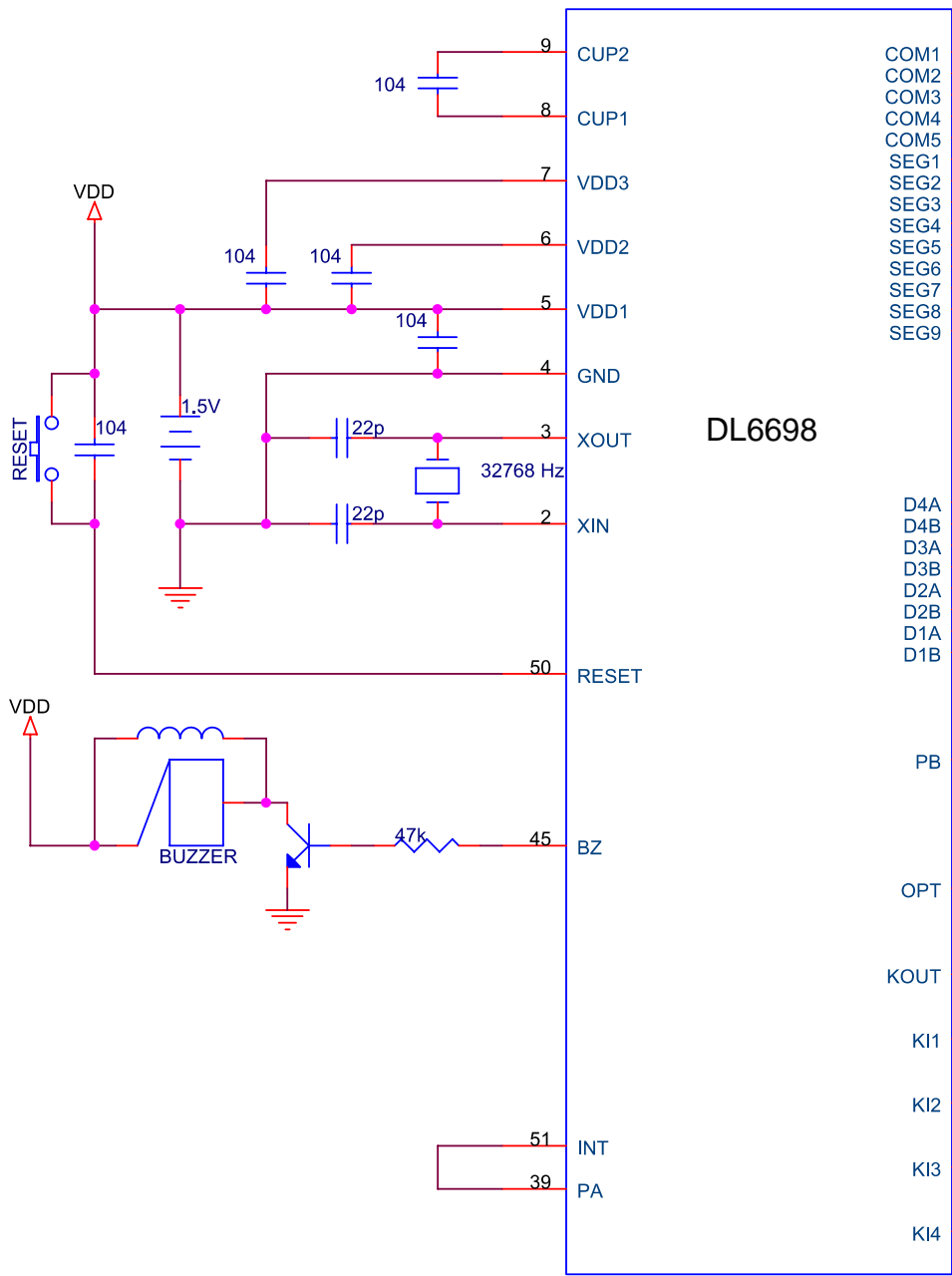


NO	NAME	X	Y	NO	NAME	X	Y
1	N.C.	77.5	1602.5	27	SEG7	1602.5	77.5
2	XIN	77.5	1472.5	28	SEG8	1602.5	207.5
3	XOUT	77.5	1357.5	29	SEG9	1602.5	322.5
4	GND	77.5	1242.5	30	D4A	1602.5	437.5
5	VDD1	77.5	1127.5	31	D4B	1602.5	552.5
6	VDD2	77.5	1012.5	32	D3A	1602.5	667.5
7	VDD3	77.5	897.5	33	D3B	1602.5	782.5
8	CUP1	77.5	782.5	34	D2A	1602.5	897.5
9	CUP2	77.5	667.5	35	D2B	1602.5	1012.5
10	COM1	77.5	552.5	36	D1A	1602.5	1127.5
11	COM2	77.5	437.5	37	D1B	1602.5	1242.5
12	COM3	77.5	322.5	38	N.C.	1602.5	1357.5
13	COM4	77.5	207.5	39	PA	1602.5	1472.5
14	COM5	77.5	77.5	40	N.C.	1602.5	1602.5
15	N.C.	207.5	77.5	41	N.C.	1472.5	1602.5
16	N.C.	322.5	77.5	42	PB	1357.5	1602.5
17	N.C.	437.5	77.5	43	OPT	1242.5	1602.5
18	N.C.	552.5	77.5	44	KOUT	1127.5	1602.5
19	N.C.	667.5	77.5	45	BZ	1012.5	1602.5
20	N.C.	782.5	77.5	46	KI1	897.5	1602.5
21	SEG1	897.5	77.5	47	KI2	782.5	1602.5
22	SEG2	1012.5	77.5	48	KI3	667.5	1602.5
23	SEG3	1127.5	77.5	49	KI4	552.5	1602.5
24	SEG4	1242.5	77.5	50	RESET	437.5	1602.5
25	SEG5	1357.5	77.5	51	INT	322.5	1602.5
26	SEG6	1472.5	77.5	52	N.C.	207.5	1602.5

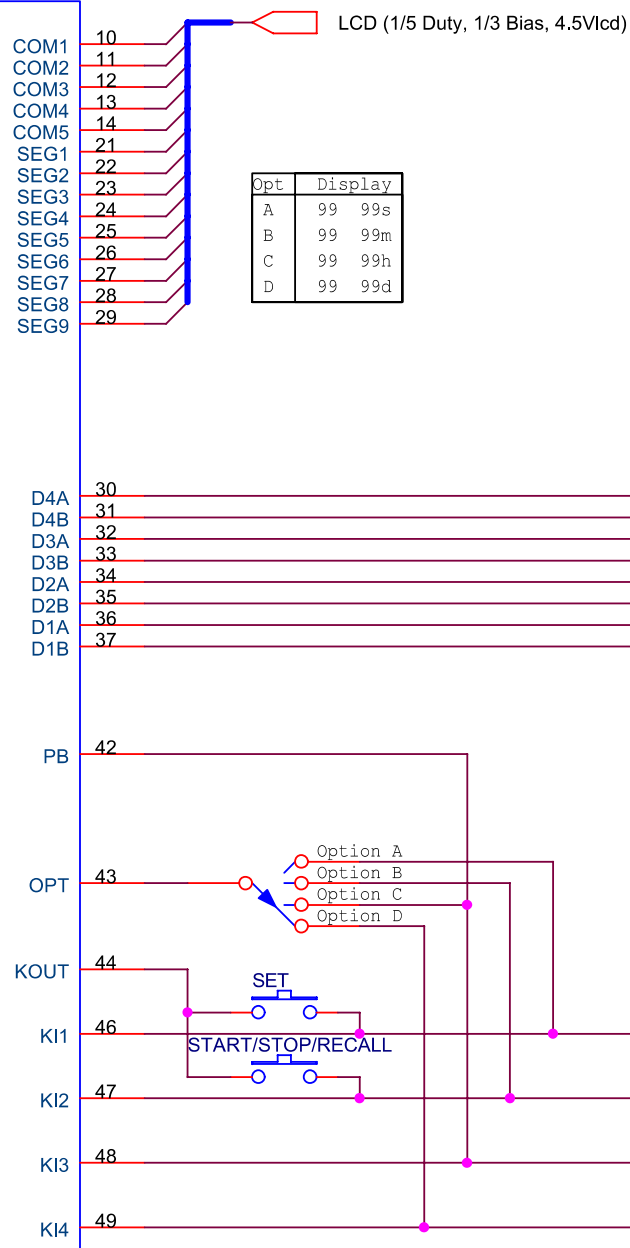
DL6698

1/5 Duty, 1/3 Bias, 4.5 Vlcd

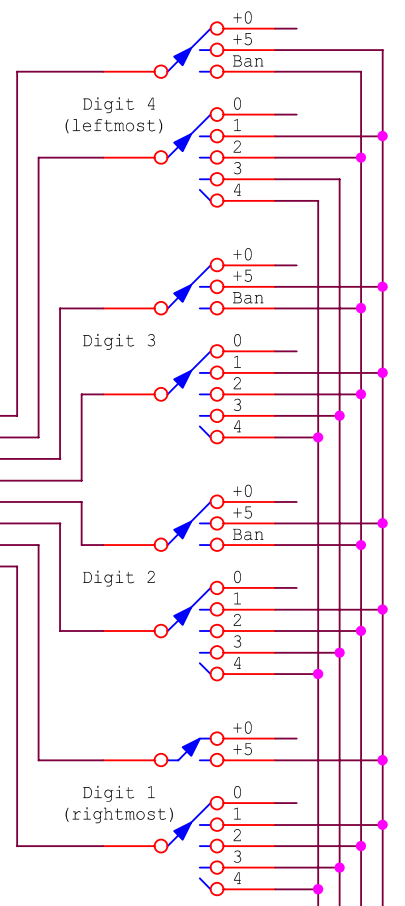




DL6698



Opt	Display
A	99 99s
B	99 99m
C	99 99h
D	99 99d



Title		
DL6698		
Size	Document Number	Rev
A		1.4
Date:	Friday, May 30, 2003	Sheet 1 of 1