



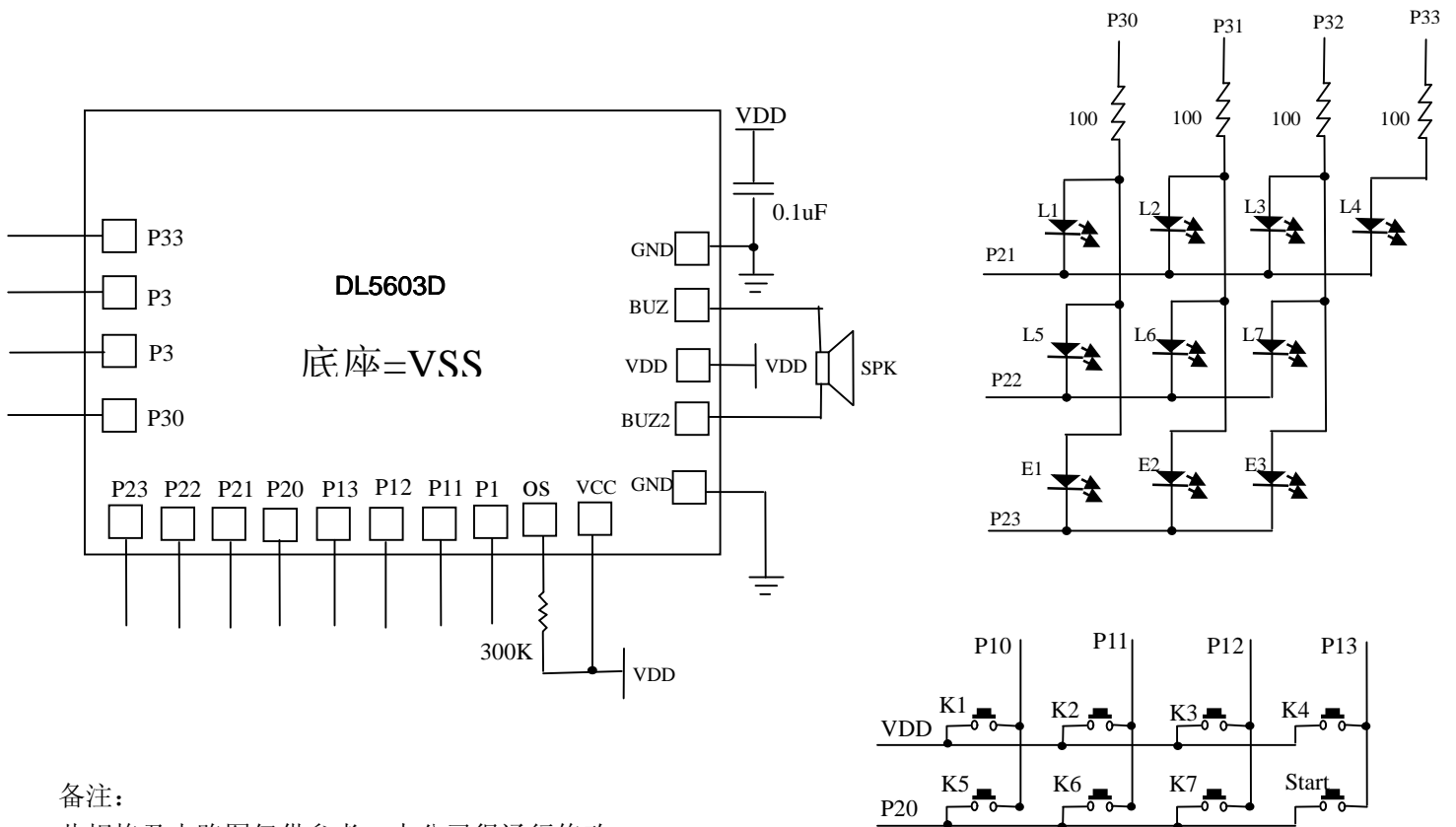
**FEATURES 功能叙述**

共 8 个键: 1 个开始键, 7 个地鼠键; 10 个 LED: 7 个地鼠指示灯, 3 个能量灯

**ELECTRIAL CHARACTERISTICS 电气规格 (@VDD=3V unless otherwise specified)**

Characteistics	Sym.	Min.	Typ.	Max.	Unit	REMARKS
工作电压 Operating Voltage	VDD	2.4	3.0	5.1	V	
工作电流 Operating Current	IOPr	—	—	250	uA	VDD=3V NO Load
静态电流 Standby Current	ISBy	—	—	1.0	uA	VDD=3V
推动电流 Drive Current	Iod	1.5	2.0	—	mA	VDD=3V VO=2.0V
输入电流 Input current	Iih	—	3.0	10.0	uA	VDD=3V VIN=3V
振荡频率 Oscillator Frequency	Fosc	—	1.0	—	Mhz	VDD=3V
D/A output current	Ivo	2.0	3.0	4.0	mA	VDD=3V VO=0.7V
ST/A/B Output Current	Ios	2.0	3.0	—	mA	VDD=3V VO=4V

**APPLICATION DIAGRAM 参考电路图**



备注:

此规格及电路图仅供参考, 本公司得迳行修改。