

FEATURE :

1.5V OPERATE

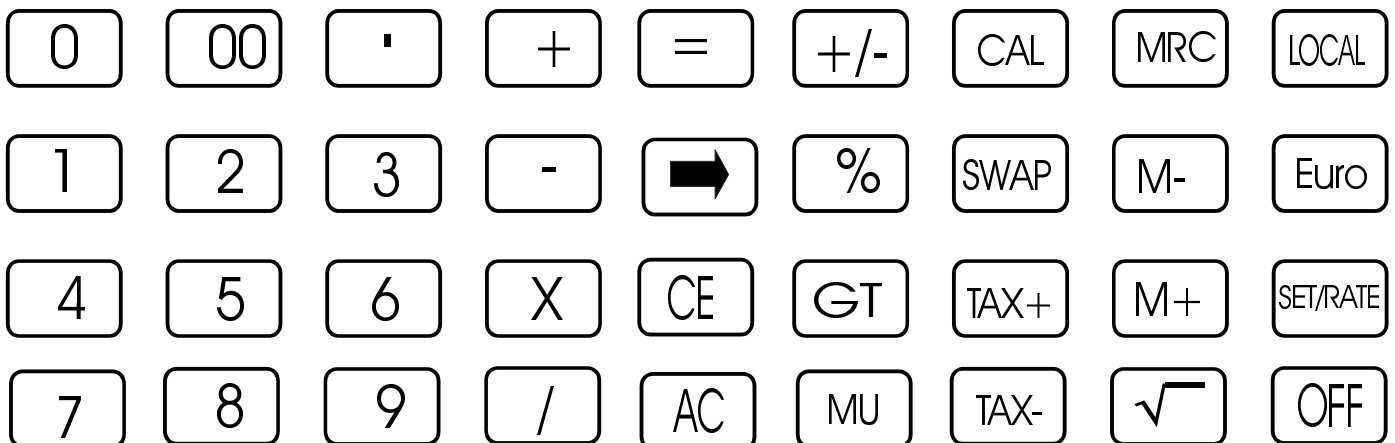
10 DIGITS DUAL LINE SINGLE CURRENCY CONVERTER

"EURO" AMOUNT IS FIXED TO 2 DEC.PT. ROUND UP.

TAX+ , TAX- , MEMORY , GT , MU

AUTOMATICAL POWER OFF

KEYBOARD





Euro Converter

Check Rate "RATE/SET"

EURO SET	1.00
LOCAL	6.55957

Change Rate "RATE/SET"

EURO SET	1.00
LOCAL	6.55957

"1.02957"

EURO SET	1.00
LOCAL	1.02957

"SET"

EURO SET	1.00
LOCAL	1.02957

"AC"

LOCAL	0.00
EURO	0.

"1" , "00"

LOCAL	102.96
EURO	100.

"LOCAL"

EURO	100.00
LOCAL	102.96

" + "

EURO	
LOCAL	102.957

"1"

EURO	
LOCAL	1.

" = "

EURO	100.97
LOCAL	103.96

"134"

EURO	130.15
LOCAL	134.



INPUT KEYS LCD

"AC"

EURO	0.00
LOCAL	0.

"OFF"

"AC" "CAL"

CAL	
	0.

"100"

CAL	
	100.

"LOCAL"

EURO	100.00
LOCAL	102.96

"Euro"

LOCAL	102.96
EURO	100.00

"111"

LOCAL	114.28
EURO	111

"CAL"

CAL	
	0.

"TAX+ or TAX-"

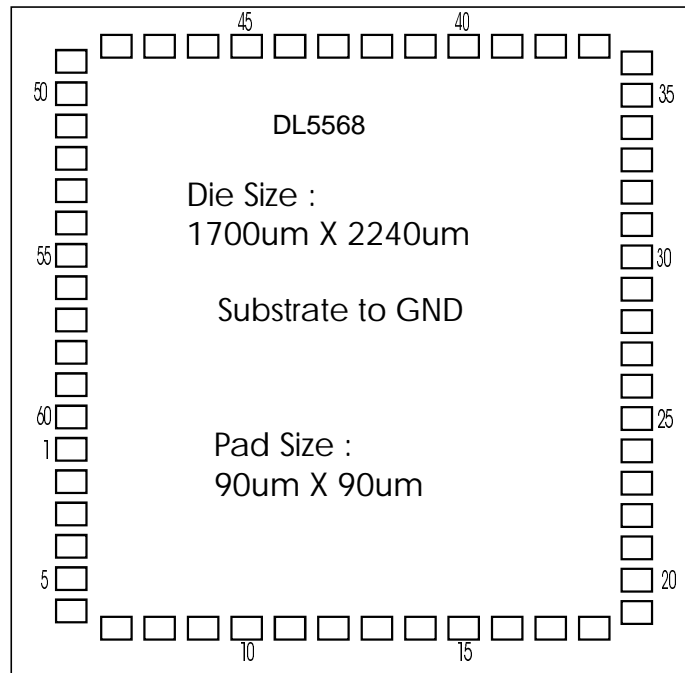
CAL	
	3. TAX %

"TAX+ or TAX-" "8" "TAX+ or TAX-"

CAL	
	8. TAX %

"AC"

CAL	
	0.



PIN ASSIGMENT

NO	NAME	X	Y	NO	NAME	X	Y
1	BAK	99.35	717.50	31	SEG14	1627.50	1522.50
2	XIN	72.50	602.50	32	SEG15	1627.50	1637.50
3	XOUT	72.50	487.50	33	SEG16	1627.50	1752.50
4	N.C.	72.50	372.50	34	SEG17	1627.50	1867.50
5	N.C.	72.50	247.50	35	SEG18	1627.50	1992.50
6	GND	72.50	122.50	36	SEG19	1627.50	2117.50
7	VDD1	197.50	72.50	37	SEG20	1502.50	2167.50
8	VDD2	322.50	72.50	38	SEG21	1377.50	2167.50
9	VDD3	447.50	72.50	39	SEG22	1252.50	2167.50
10	CUP1	562.50	72.50	40	SEG23	1137.50	2167.50
11	CUP2	677.50	72.50	41	SEG24	1022.50	2167.50
12	COM1	792.50	72.50	42	SEG25	907.50	2167.50
13	COM2	907.50	72.50	43	SEG26	792.50	2167.50
14	COM3	1022.50	72.50	44	SEG27	677.50	2167.50
15	COM4	1137.50	72.50	45	SEG28	562.50	2167.50
16	COM5	1252.50	72.50	46	SEG29	447.50	2167.50
17	COM6	1377.50	72.50	47	SEG30	322.50	2167.50
18	SEG1	1502.50	72.50	48	SEG31	197.50	2167.50
19	SEG2	1627.50	122.50	49	SEG32	72.50	2117.50
20	SEG3	1627.50	247.50	50	IOC2	72.50	1992.50
21	SEG4	1627.50	372.50	51	IOC3	72.50	1867.50
22	SEG5	1627.50	487.50	52	IOC4	72.50	1752.50
23	SEG6	1627.50	602.50	53	IOD1	72.50	1637.50
24	SEG7	1627.50	717.50	54	IOD2	72.50	1522.50
25	SEG8	1627.50	832.50	55	IOD3	72.50	1407.50
26	SEG9	1627.50	947.50	56	IOD4	72.50	1292.50
27	SEG10	1627.50	1062.50	57	SEG40	72.50	1177.50
28	SEG11	1627.50	1177.50	58	RESET	72.50	1062.50
29	SEG12	1627.50	1292.50	59	INT	72.50	947.50
30	SEG13	1627.50	1407.50	60	N.C.	72.50	832.50



深圳市晶峰达电子科技有限公司

东莞市琪芯电子有限公司

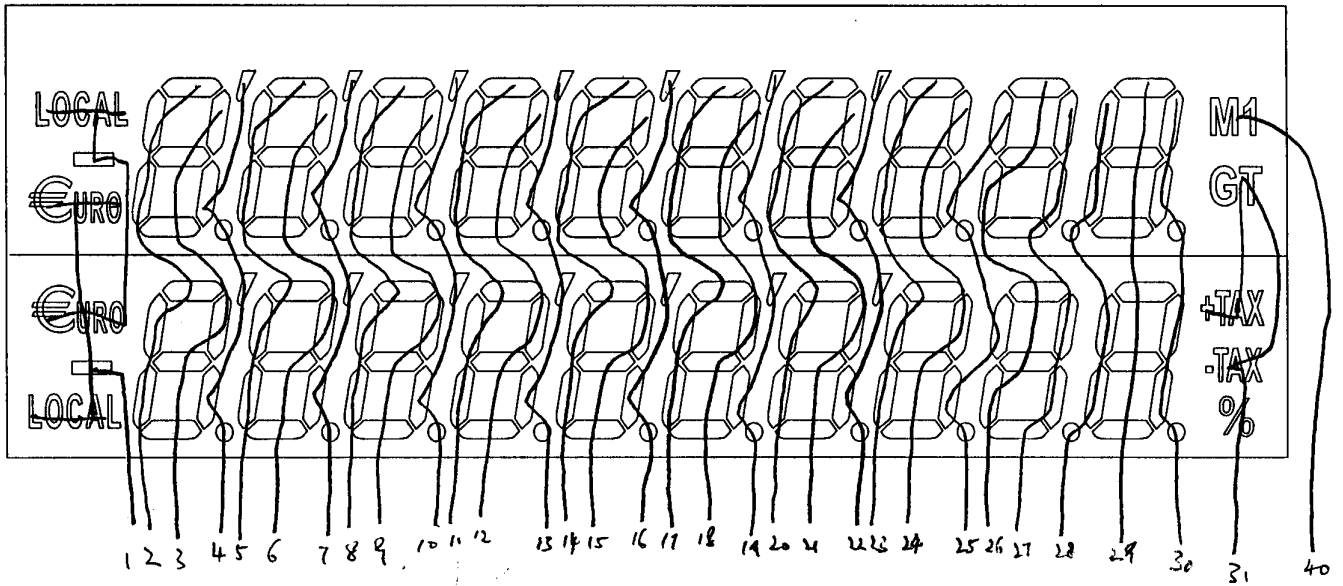
电话: 13798528768, 0769-85338927, 传真: 85338927

邮箱: info@jfd-ic.com, QQ: 402431824

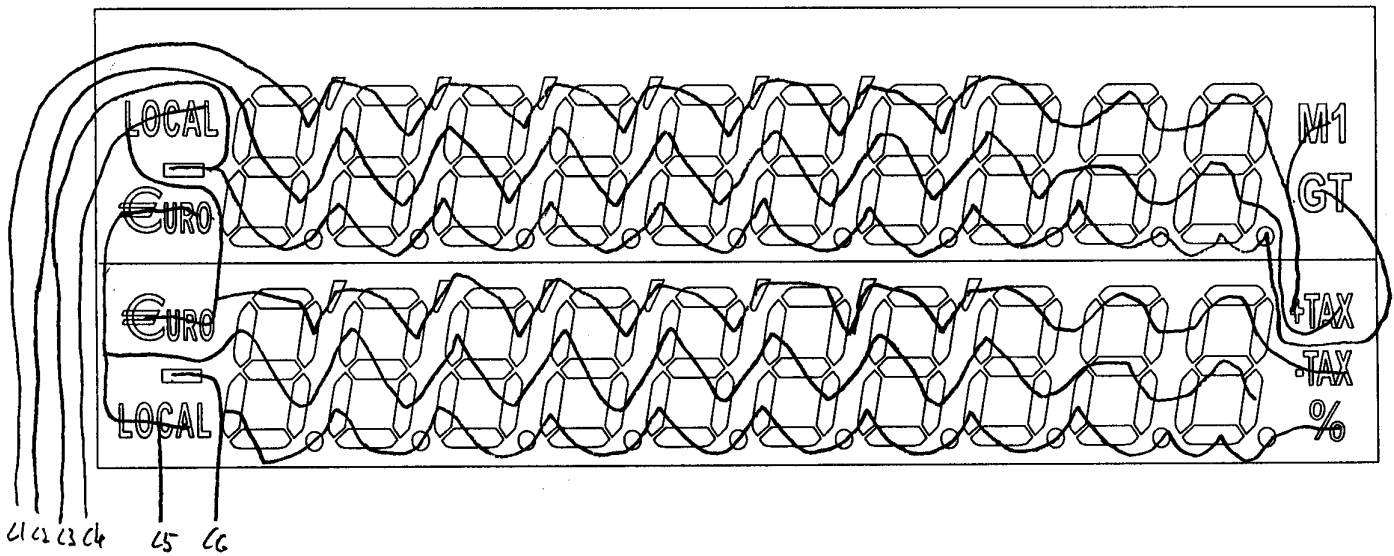
网址: www.jfd-ic.com MSN: aleafuyzf@hotmail.com

DL5568

双行十位欧元转换计算器IC

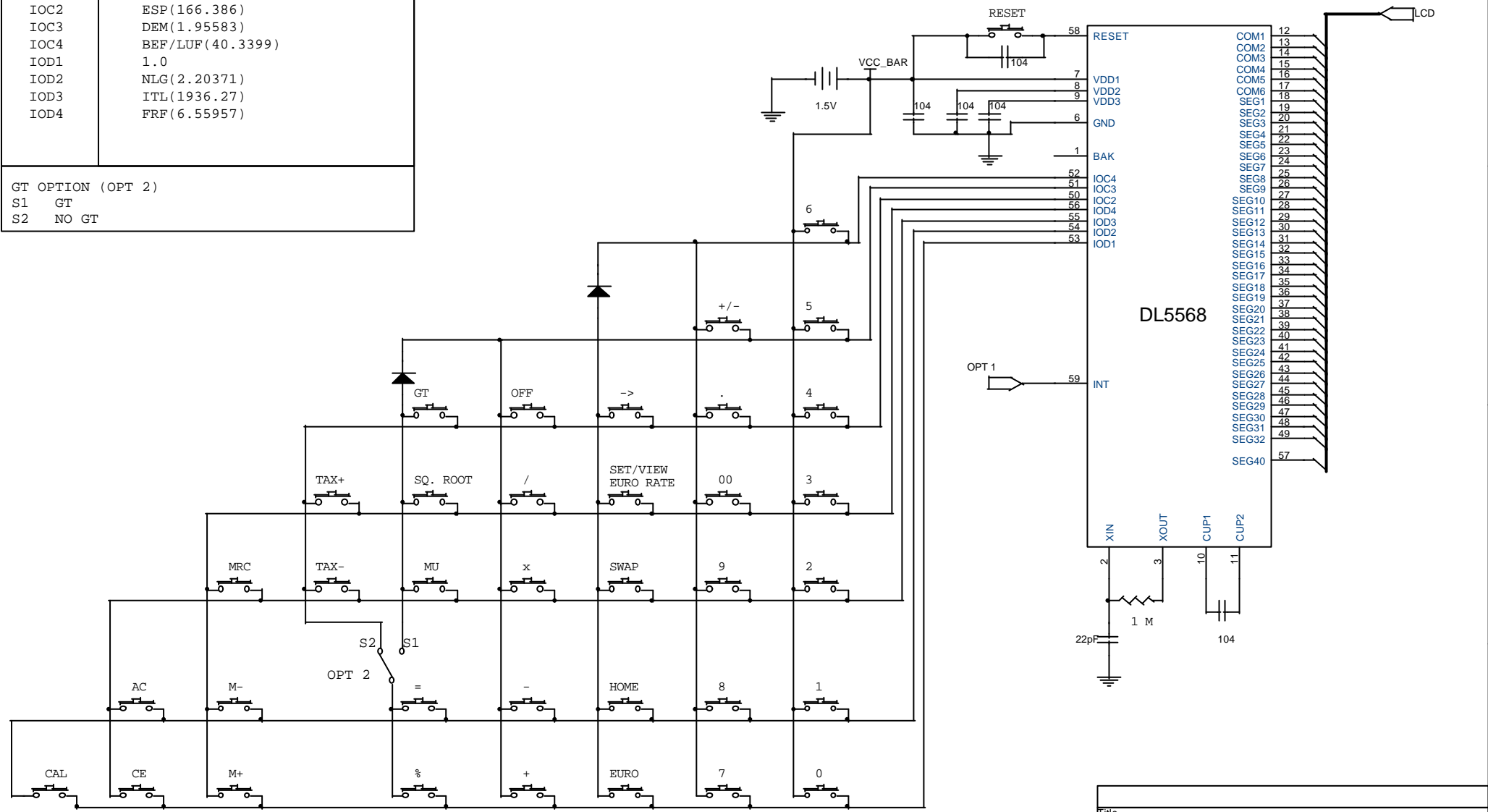


LED 4.5V Duty 1/6 Bias 1/3



CONNECT TO	DEFLAUT RATE(OPT 1)
IOC2	ESP(166.386)
IOC3	DEM(1.95583)
IOC4	BEF/LUF(40.3399)
IOD1	1.0
IOD2	NLG(2.20371)
IOD3	ITL(1936.27)
IOD4	FRF(6.55957)

GT OPTION (OPT 2)	
S1	GT
S2	NO GT



Title		
Size	Document Number	Rev 2.0
Date:	Sheet 1 of 1	