



DL5003 触摸四脚厨房秤

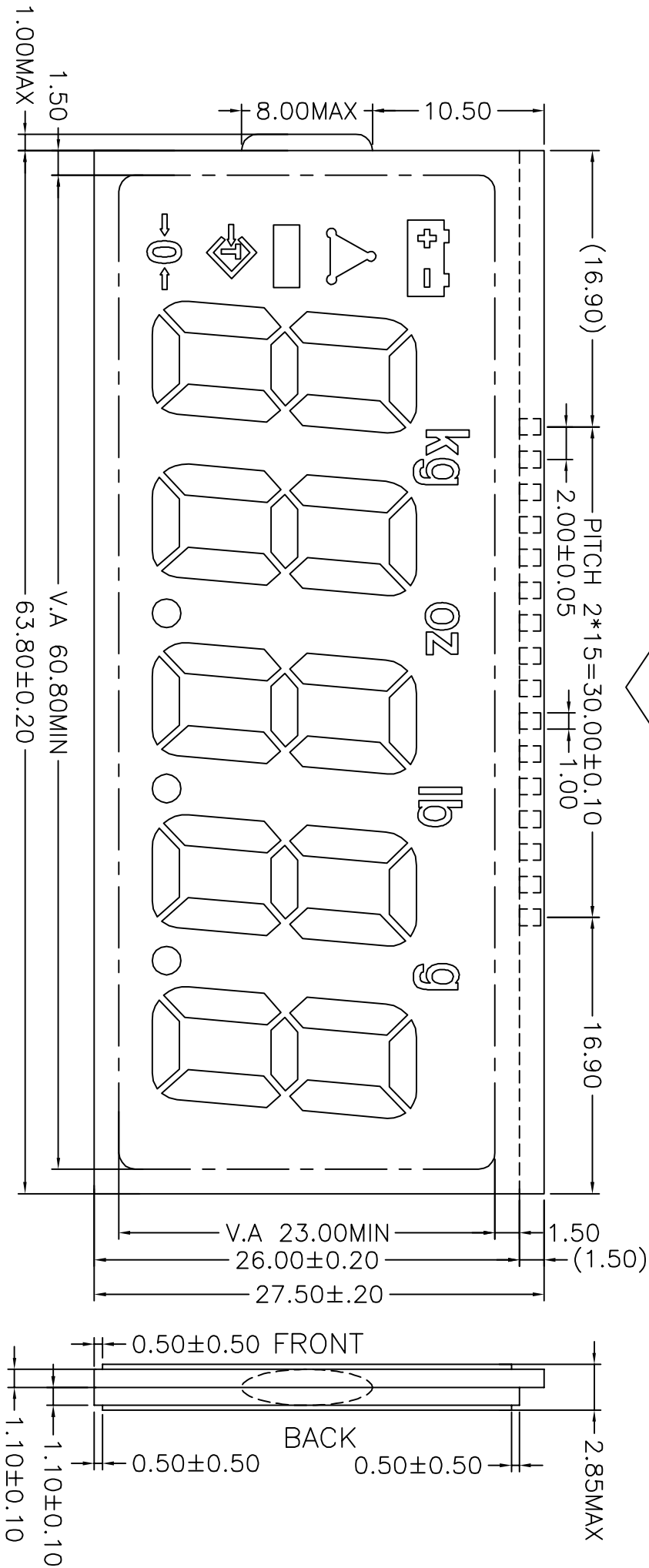
一、基本参数

1. 按键: ON/OFF/TARE; TARE
2. 按键操作: 关机情况下短按开机键开机, 开机且重量为零的情况下短按开机键关机, 开机且重量不为零的情况下长按开机键 2 秒关机; 开机情况下短按 TARE 键去皮或置零。
3. 特殊功能: 去皮延时
4. 单位: g: 5000g/1g
Kg: 5.000kg/0.001kg
Oz: 176.40oz/0.05oz
Lb: 11.0221lb/0.0021lb
5. 开机显示: 全显
6. 24C02 出错画面: 显示“ErrE” 2 秒关机
7. 超载显示: “0-Ld”
8. 负重量显示: 负重量值
9. 低电压显示: 电源电压 3.3V 时显示电池符号 (可设定); 电源电压 2.8V 时显示“Lo” 2 秒后关机 (可设定)。
10. 自动关机时间: 重物稳定后: 60±5 秒 (可设定)
11. 开机归零范围: 2500g (可设定)
12. 按键置零范围: 100g (可设定)
13. 电源电压: 4.5V
14. 电气参数: 工作电流: ≤3.0mA (2K 传感器)
关机电流: ≤10uA (平均)

二、校磅方式

关机情况下按住单位键, 同时按住开机键开机并保持2秒, 进入内码模式, 按单位键, 内码清零, 显示2000g, 此时放上2kg砝码, 标定通过后显示4000g, 此时放上4kg砝码, 标定通过后显示PASS, 标识标定完成; 标定失败则显示FAIL 2秒关机。

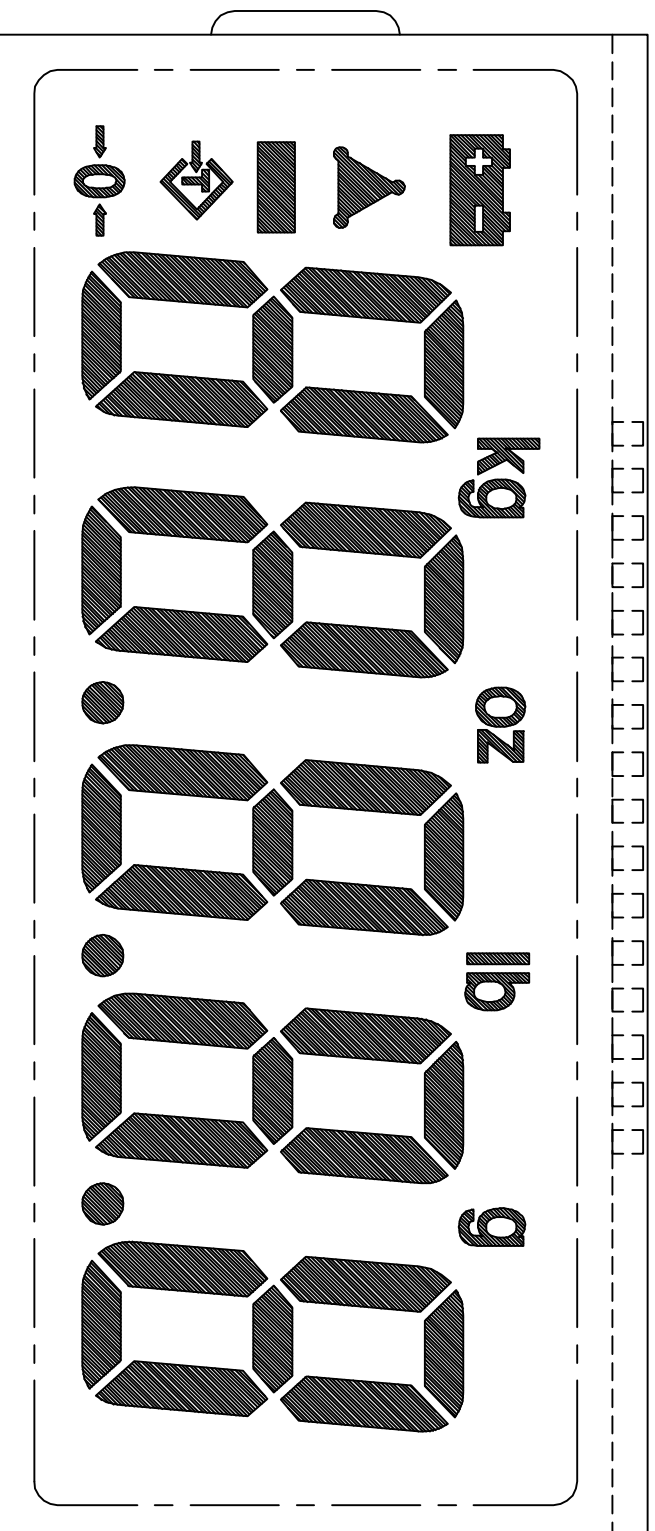
VIEWING DIRECTION



SCALE 1:1

1. DISPLAY TYPE	■ TN □ HTN □ STN	5. DRIVE METHOD	1/4 DUTY 1/3 BIAS	NAME	DATE	CUSTOMER NO.
DISPLAY SIZE	63.8*27.5*26.0	6. OPERATING VOLTAGE	2.8V	C/D DESIGN BY		
2. VIEWING DIRECTION	12 D' CLOCK	7. OPERATING TEMP	-0°C~+50°C	CHECKED BY		
3. DISPLAY MODE	POSITIVE	8. STORAGE TEMP	-10°C~+60°C	APPROVED BY		
4. REAR POLARIZER	REFLECTIVE	9. CONNECTOR	■ ZEBRA □ HEAT SEAL □ PIN TYPE	PAGE: 2/4	REV: A	
				TOLERANCE: ±0.2	ANGLE: ±0.5°	UNIT: mm
				SCALE: NTS		DRAWING NO.

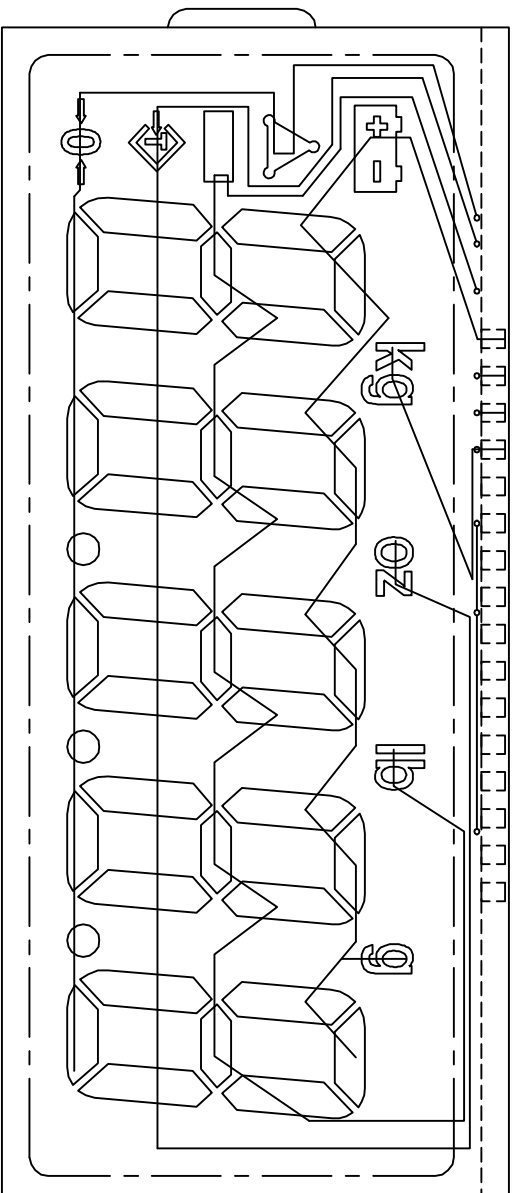
DRIVE CONDITION : 1/4 DUTY, 1/3 BIAS, 2.8 V, 64HZ
VIEWING DIRECTION : 12 O'CLOCK



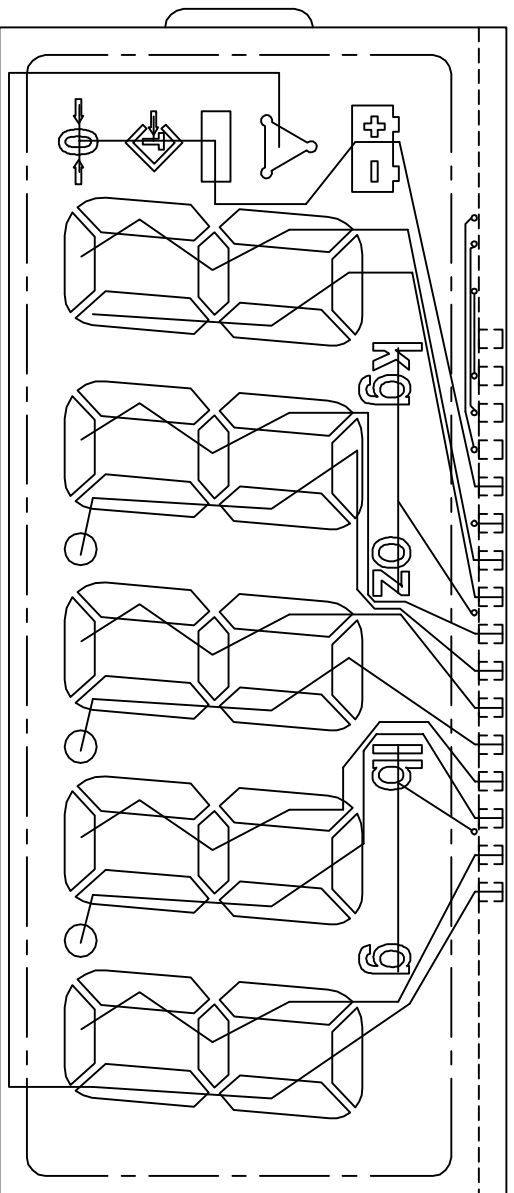
LCD显示效果图

LCD DISPLAY EFFECT

1. DISPLAY TYPE	<input checked="" type="checkbox"/> TN <input type="checkbox"/> HTNOSTN	5. DRIVE METHOD	1/4DUTY 1/3BIAS	NAME	DATE	CUSTOMER NO.
DISPLAY SIZE	63.8*27.5*26.0	6.OPERATING VOLTAGE	2.8V	C/D DESIGN BY		
2. VIEWING DIRECTION	12 O' CLOCK	7.OPERATING TEMP	-0°C~+50°C	CHECKED BY		
3. DISPLAY MODE	POSITIVE	8.STORAGE TEMP	-10°C~+60°C	APPROVED BY		
4. REAR POLARIZER	REFLECTIVE	9.CONNECTOR	<input checked="" type="checkbox"/> ZEBRA <input type="checkbox"/> HEAT SEAL <input type="checkbox"/> PIN TYPE	PAGE: 3/4	REV:A	DRAWING NO.
				TOLERANCE:±0.2	ANGLE:±0.5°	UNIT: mm
				SCALE: NTS		



COM



SEG

1. DISPLAY TYPE	■ TN □ HTNOSTN	5. DRIVE METHOD	1/4DUTY 1/3BIAS	NAME	DATE	CUSTOMER NO.
DISPLAY SIZE	63.8*27.5*26.0	6. OPERATING VOLTAGE	2.8V	C/D DESIGN BY	-	
2. VIEWING DIRECTION	12 D' CLOCK	7. OPERATING TEMP	-0°C~+50°C	CHECKED BY		
3. DISPLAY MODE	POSITIVE	8. STORAGE TEMP	-10°C~+60°C	APPROVED BY		
4. REAR POLARIZER	REFLECTIVE	9. CONNECTOR	■ ZEBRA □ HEAT SEAL □ PIN TYPE	PAGE: 4/4	REVA	
				TOLERANCE: ±0.2	ANGLE: ±0.5°	UNIT: mm
				SCALE: NTS		DRAWING NO.