

**DESCRIPTION**

The 8078 is a silicon-gate CMOS LSI for a 3-hand analog display watch. It provides three functions (hour, minute, second).

It connects the analog LCD panel with 120 segments.

The 8078 has 20 segment output and 6 common outputs for direct drive a 1/6-duty multiplexing LCD.

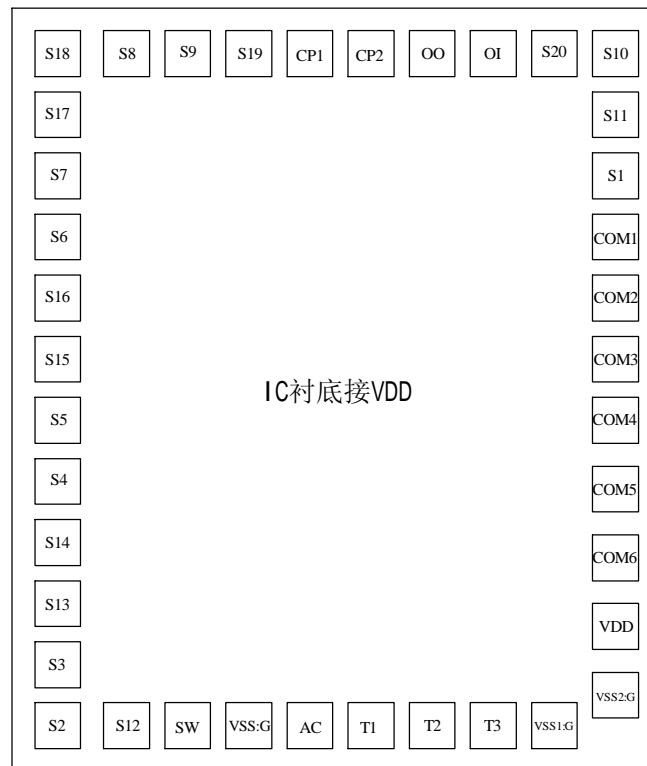
It operates on a single 1.5V battery and the circuit time base is a 32768Hz crystal oscillator.

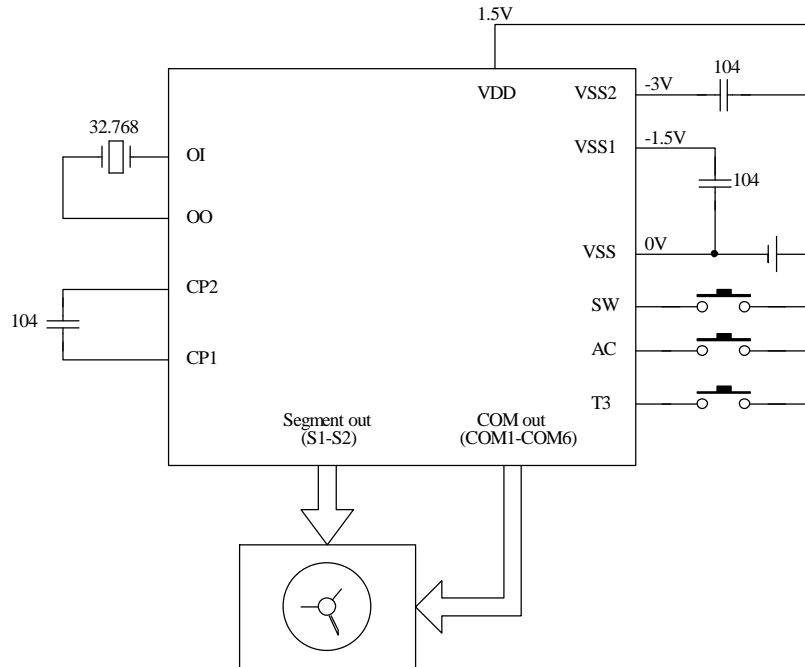
**FUNCTIONS**

- l 3 functions: hour, minute, second
- l Time setting: Minute up setting
- l 3 key operottm (全显、复位、时间调整)

**ELECTRICAL CHARACTERISTICS**

Characteristics	Sym	Min	Typ	Max	Unit	Remarks
Operation Voltage 工作电压	V <sub>SS2</sub>	-2.4	-3.0	-3.6	V	
	V <sub>SS1</sub>	-1.2	-1.5	-1.8	V	
	V <sub>SS</sub>		0		V	
Quiescent Current 静态电流	I <sub>SB</sub>		1.5	2.5	uA	No Load
Oscillator Input Frequency 振荡频率	F <sub>OSC</sub>		32768		Hz	0% Tol
LCD frequency LCD 频率	F <sub>LCK</sub>		43		Hz	
Time stability 时间稳定度	T <sub>STB</sub>		1		ppm	VDD=3.0V

**PAD DIAGRAM AND LOCATION****APPLICATION CIRCUIT**



Note:

- 1、SW 键整时间
- 2、AC 键复位（复位到 12 点）
- 3、AC 键加 T3 键全显功能

**LCD FORMAT**

LCD SEGMENT

